



Cert. No. 12788



DS 1

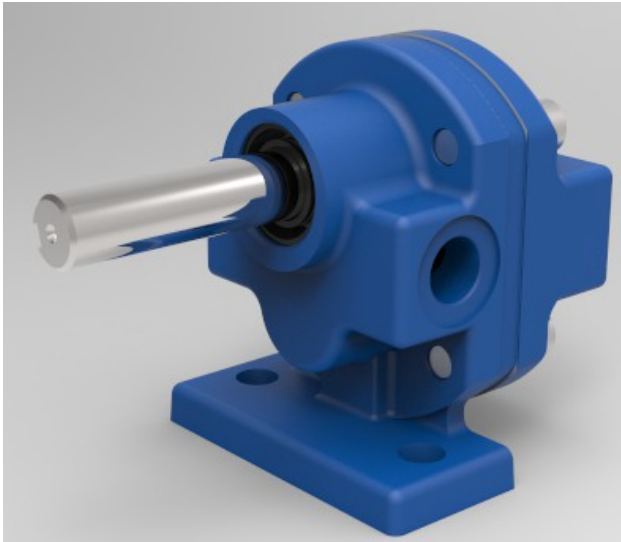
Midland Pump Manufacturing Company Ltd

Seeleys Road, Greet, Birmingham, B11 2LF

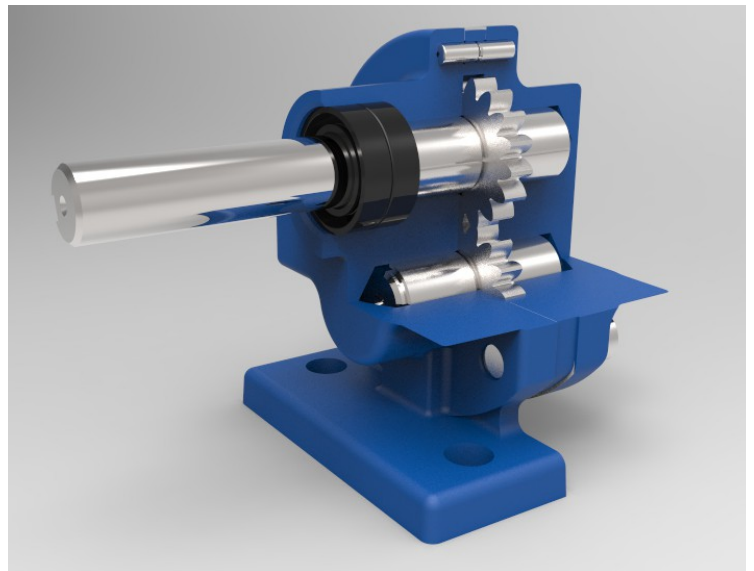
Tel: 0121 773 8862 3lines

Fax: 0121 771 4363

Midland Group 1 Pumps



The Midland Group 1 pump is available in 15 different sizes with flow rates* of 3 - 42 //min. Due to the modular construction and the large stocks of component parts most models can be supplied on very short lead times (typically 1-2 days)



Midland Pump Manufacturing Company Ltd

Seeleys Road, Greet, Birmingham, B11 2LF

Tel: 0121 773 8862 3lines

Fax: 0121 771 4363

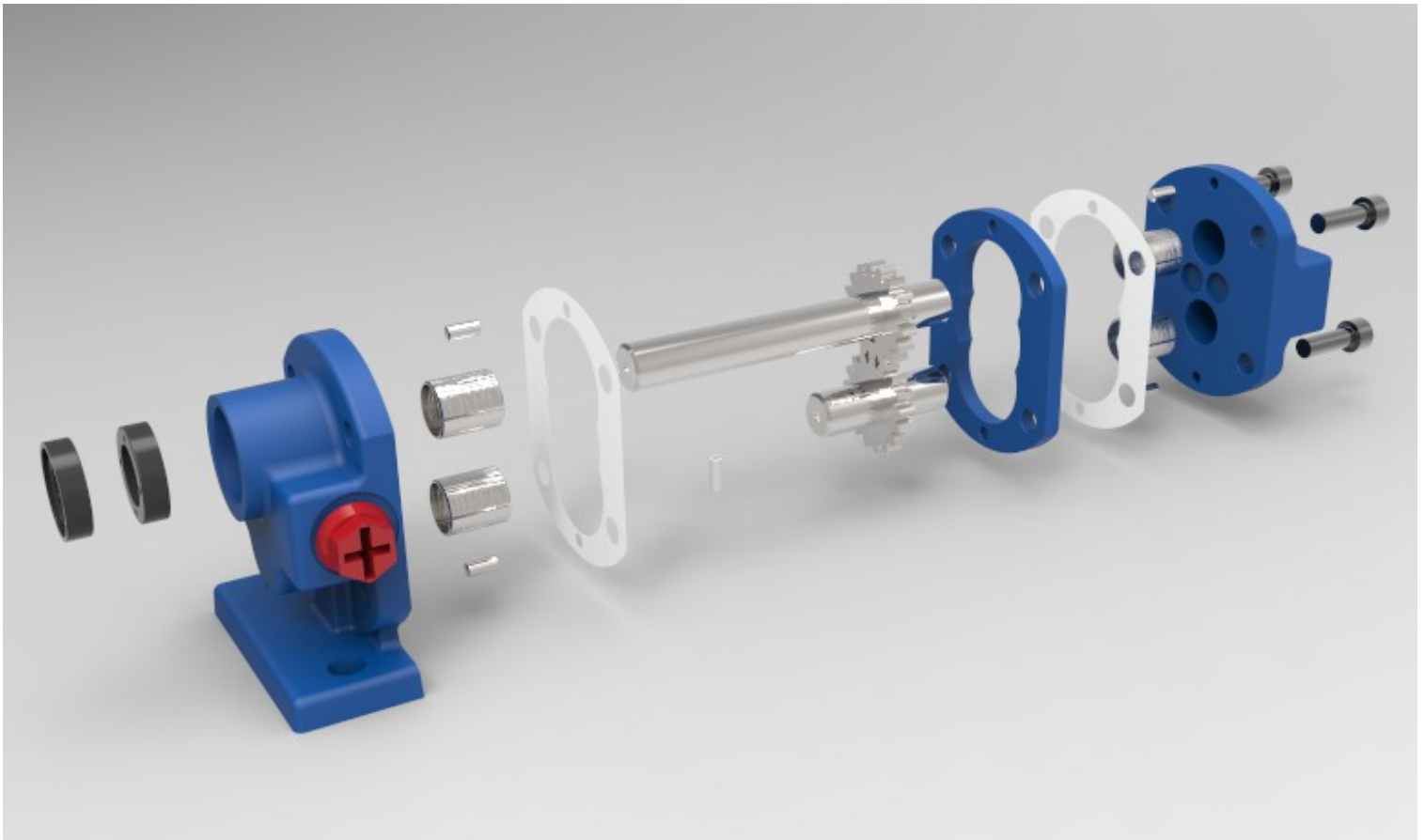
Midland Pump Group1 with Release Valve Body ported

For capacities please see Midland pump Group 1 flange mounted pump data sheet DS1
For Models TC250 and TC 500 please see Cover ported data Sheet DS3

Pump Type	Fixed clearance positive displacement external gear
Release Valve	Ball and Spring type, fixed and adjustable available for pressures up to 10 bar. The release valve is purely to protect the motor from overload and not to regulate the system pressure.

Standard Materials of construction (options available please consult works)

- Casings Close grained grey cast iron to grade 220
- Shafts Carbon alloy steel grade 655M13 Bs 970 part 1 case hardened and ground
- Gears Carbon Steel Grade 212M36/212A42 BS 970 part 1
- Bearings Glacier type DU PTFE wrapped bush bearings





Midland Pump Manufacturing Company Ltd

Seeleys Road, Greet, Birmingham, B11 2LF

Tel: 0121 773 8862 3lines

Fax: 0121 771 4363

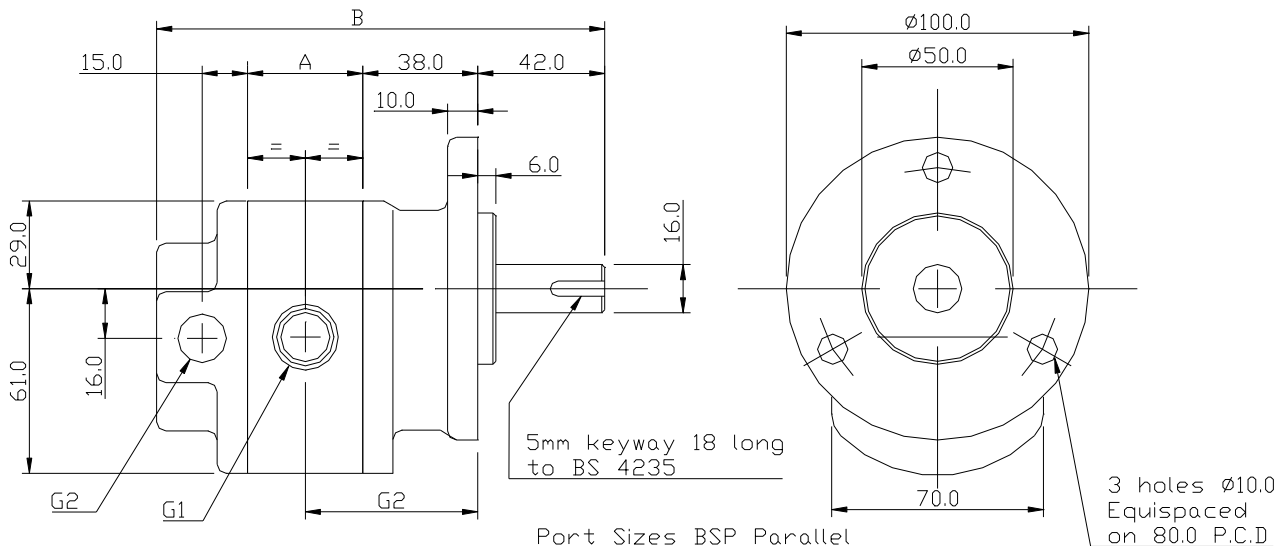
Midland Pump Group1 Data Sheet

Pump Type Fixed clearance positive displacement external gear

Capacity

Standard Materials of construction (options available please consult works)

- Casings Close grained grey cast iron to grade 220
- Shafts Carbon alloy steel grade 655M13 Bs 970 part 1 case hardened and ground
- Gears Carbon Steel Grade 212M36/212A42 BS 970 part 1
- Bearings Glacier type DU PTFE wrapped bush bearings



Pump Model	A	B	G2	G1				G2 Preferred	
TC	250	6.4	117.0	37.0	1/4	3/8	1/2	3/4	
TC	500	12.7	123.0	44.0	1/4	3/8	1/2	3/4	
TC MOD	750	19.0	129.0	51.0	1/4	3/8	1/2	3/4	1/4 3/8
TC MOD BA	100	25.4	135.0	58.0	1/4	3/8	1/2	3/4	3/8 1/2
TC MOD BA	125	31.6	141.0	65.0		3/8	1/2	3/4	3/8 1/2 3/4
TC MOD BA	150	37.9	148.0	72.0			1/2	3/4	1/2 3/4



Cert. No. 12788



Midland Pump Manufacturing Company Ltd

Seeleys Road, Greet, Birmingham, B11 2LF

Tel: 0121 773 8862 3lines

Fax: 0121 771 4363

Pump Model	Specific Discharge	Flow rate at 1500 rpm
	l/rev	l/min
TC 250	2.3	3.4
TC 500	4.8	7.0
TC 750	7.1	10.5
TC 100	9.5	14.0
TC 125	11.8	17.2
TC 150	14.2	20.7
MOD 100	16.1	23.5
BA 100	19.6	28.6
MOD 125	20.2	29.5
MOD 150	24.2	35.3
BA 125	24.5	35.8
BA 150	29.4	42.9



Cert. No. 12788



DS 5

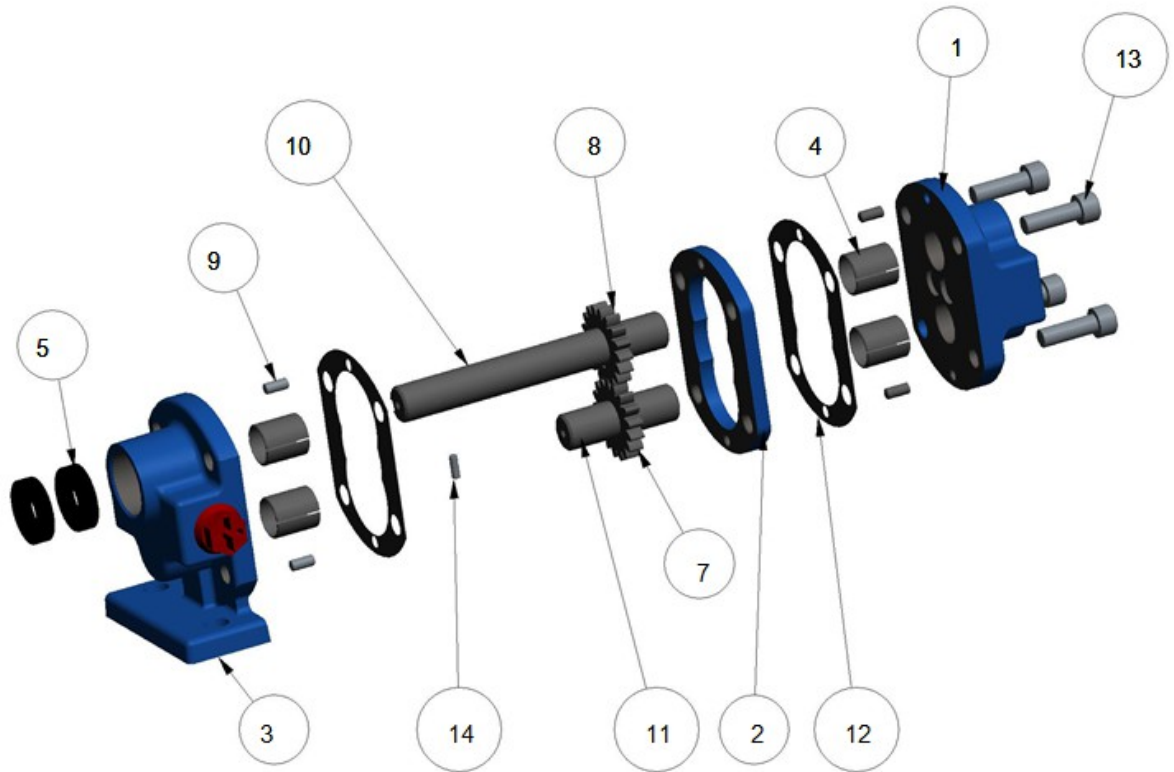
Midland Pump Manufacturing Company Ltd

Seeleys Road, Greet, Birmingham, B11 2LF

Tel: 0121 773 8862 3lines

Fax: 0121 771 4363

ITEM NO	PART NUMBER	QTY
1	088	1
2	154	1
3	317	1
4	342	4
5	350	2
6	365	2
7	487	1
8	487_KEYWAY	1
9	524	4
10	755	1
11	759	1
12	A1039	2
13	A1506	4
14	A1644	1



Issue: 2 04-04-14		Midland Pump Manufacturing Company Ltd own the copyright of this drawing which is supplied in confidence and which must not be used for any purpose other than for which it is supplied and must not be re-produced or used for the purpose of manufacture without written permission from Midland Pump Manufacturing Company Ltd.			Midland Pump Manufacturing Co. Ltd	
Contact			Drawn	<u>G.Perkins</u>	Pump Ref.	
Email: Enquiries@MidlandPump.co.uk Phone: +44 (0)121 773 8862			Checked		PES897	