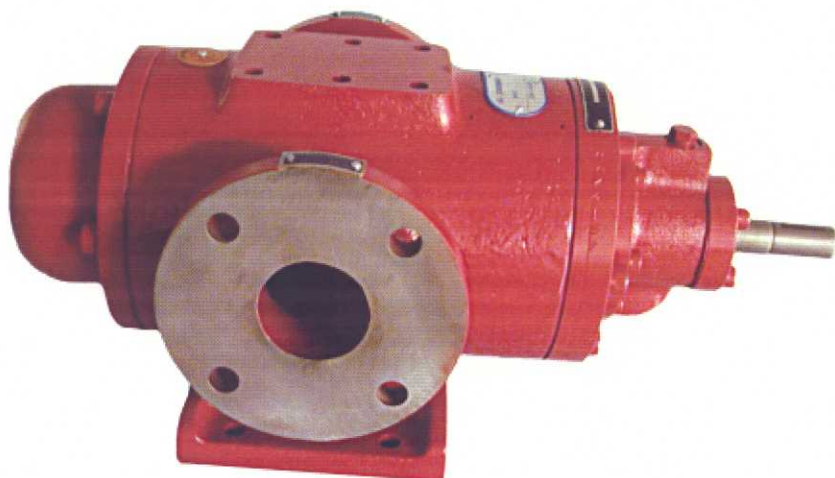


Roper Pumps

D

Series



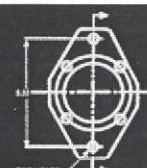
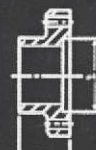
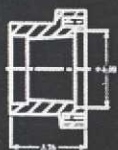
# Triple Screw Pumps



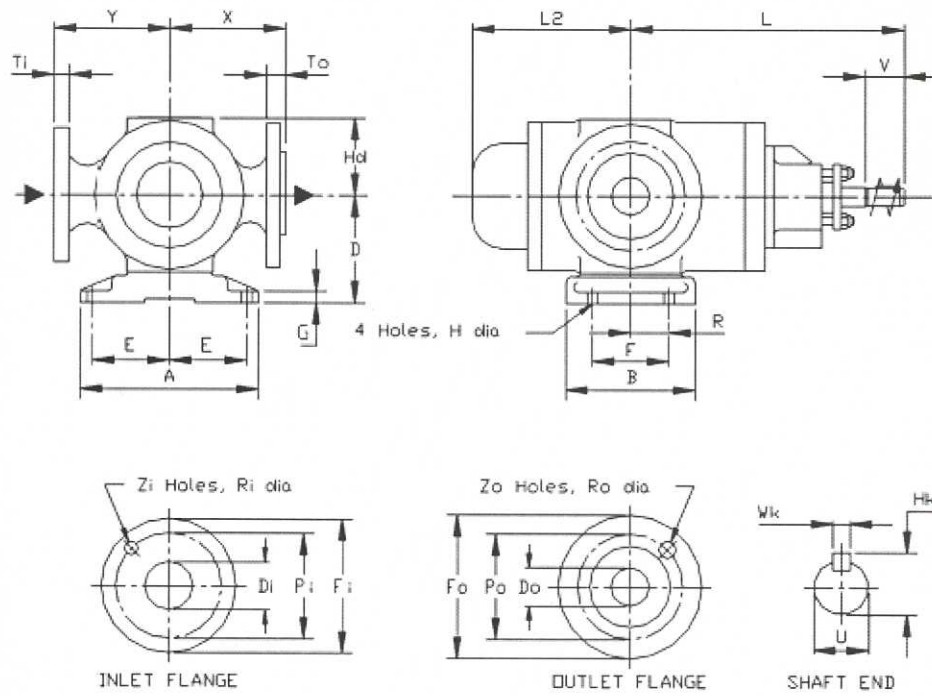
The leading force behind liquids.

## Industries & Applications

- Power Plants
- Ship building / Marine
- Refineries & Oil Drilling
- Petrochemical / Fertilizer
- Steel Plants
- Rayon / Viscose
- Pharmaceutical / Food
- Paper Mills
- Breweries / Sugar Plants
- Printing
- Lube & Seal Oil and Fuel oil transfer and firing pumps for equipment
- Hydraulic Pumps
- Asphalt and Crude Transfer
- Pumps for handling viscose, molasses, & glue
- Pumps for printing ink
- Petroleum jelly and creams
- Carbon Black Feedstock







Symbol		PUMP MODELS											
		D00492		D00811 D01014 D01513		D02155 D03147 D03934		D04619 D04689 D08111 D09686 D12107		D17239 D23647 D25179		D96858	
	mm	in	mm	in	mm	in	mm	in	mm	in	mm	in	
A	130	5.12	185	7.28	210	8.27	320	12.60	420	16.54	540	21.26	
B	75	2.95	135	5.31	190	7.48	300	11.81	425	16.73	660	25.98	
D	100	3.94	112	4.41	160	6.30	225	8.86	280	11.02	400	15.75	
Di	32	1.26	50	1.97	80	3.15	125	4.92	200	7.87	300	11.81	
Do	25	0.98	40	1.57	65	2.56	100	3.94	150	5.91	250	9.84	
E	57.5	2.26	80	3.15	90	3.54	135	5.31	180	7.09	225	8.86	
F	50	1.97	80	3.15	140	5.51	210	8.27	300	11.81	520	20.47	
Fi	117	4.61	152	5.98	191	7.52	254	10.00	343	13.50	483	19.02	
Fo	124	4.88	155	6.10	191	7.52	254	10.00	318	12.52	445	17.52	
G	10	0.39	12	0.47	16	0.63	20	0.79	25	0.98	36	1.42	
H	7	0.28	11	0.43	14	0.55	22	0.87	26	1.02	36	1.42	
Hd	71	2.80	80	3.15	112	4.41	160	6.30	200	7.87	280	11.02	
Hk	16	0.63	21.5	0.85	31	1.22	41	1.61	59	2.32	85	3.35	
L	210	8.27	285	11.22	355	13.98	490	19.29	650	25.59	900	35.43	
L2	130	5.12	165	6.50	240	9.45	325	12.80	460	18.11	670	26.38	
Pi	89	3.50	121	4.76	152	5.98	216	8.50	298	11.73	432	17.01	
Po	89	3.50	114	4.49	149	5.87	200	7.87	270	10.63	387	15.24	
R	25	0.98	40	1.57	70	2.76	105	4.13	150	5.91	260	10.24	
Ri	16	0.63	19	0.75	19	0.75	22	0.87	22	0.87	25	0.98	
Ro	19	0.75	22	0.87	22	0.87	22	0.87	22	0.87	28	1.10	
Ti	13	0.51	16	0.63	19	0.75	24	0.94	28	1.10	32	1.26	
To	18	0.71	21	0.83	25	0.98	32	1.26	37	1.46	48	1.89	
U	14	0.55	19	0.75	28	1.10	38	1.50	55	2.17	80	3.15	
V	30	1.18	40	1.57	60	2.36	80	3.15	110	4.33	170	6.69	
Wk	5	0.20	6	0.24	8	0.31	10	0.39	16	0.63	22	0.87	
X	100	3.94	120	4.72	150	5.91	190	7.48	250	9.84	340	13.39	
Y	100	3.94	120	4.72	150	5.91	190	7.48	250	9.84	340	13.39	
Zi	4	0.16	4	0.16	4	0.16	8	0.31	8	0.31	12	0.47	
Zo	4	0.16	4	0.16	4	0.16	8	0.31	12	0.47	16	0.63	



**Roper Pump Company**  
 P.O. Box 269 • Commerce, GA 30529  
 Toll Free: 1-800-876-9160  
 Tele: 706-335-5551 • Fax: 706-335-5490  
 sales@roperpumps.com  
**Visit Us On The WorldWide Web**  
 www.roperpumps.com

## D Series

Pump Model	Flow Range	Temp Range	Inlet Pressure	Maximum Discharge Pressure	Viscosity Range
D (Standard)	3 to 1695 GPM 10 to 6415 L/min	-4 to 266°F -20 to 130°C	-11.6 to 90 PSIG -0.8 to 6 Barg	500 PSIG 34 Barg	2 to 3300 cSt
D (Special)	3 to 1695 GPM 10 to 6415 L/min	-40 to 500°F -40 to 260°C	-11.6 to 930 PSIG -0.8 to 64 Barg	930 PSIG 64 Barg	0.8 to 100,000 cSt

## Materials of Construction

Pump Model	Flanges/ Configuration	Housing	Screws	Cartridge Housing	Gasket
D (Standard)	ANSI or DIN/ In-line	Cast Iron	Nitrided Chrome- Alloy Steel	Cast iron	Cellulose Plant Fiber
D (Special)	ANSI, DIN, SAE/ Various	Fabricated Steel	Nitrided Chrome- Alloy Steel	Cast iron	Cellulose Plant Fiber

## Key Features

- Pumping element consists of a power screw and 2 idler screws in a cartridge assembly
- Rebuild kits available to replace cartridge on a fast turnaround and ease of maintenance, reducing cost of maintenance by up to 50%
- No timing gears and external lubrication required equals savings
- Single or no bearing required
- Shaft sealing by mechanical seal or compression packing
- Optional DIN or ANSI flanges
- Optional fabricated housing to meet API standard
- Mounting arrangement options:
  - Horizontal
  - Vertical
  - Flange
  - Close-Coupled
  - Sump
- Drop in replacement to pumps of other manufacturers

