



Certificate Number 06129A

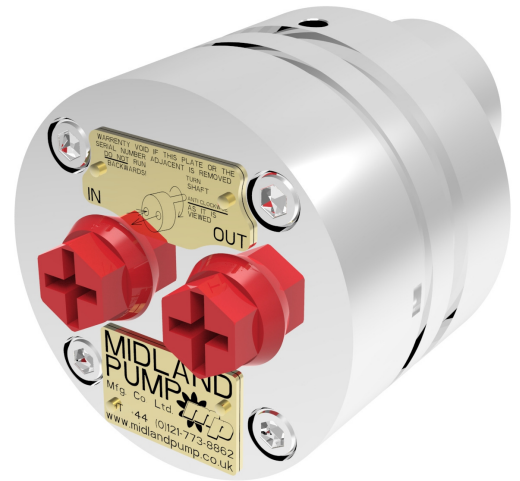
Midland Pump Manufacturing Company Ltd.

Midland Pump Expands its Range

The Midland Pump Manufacturing Company is delighted to announce the completion of the first stage of its expansion into stainless steel pumps. The stainless range is the culmination of 2 years research, development and testing at our Birmingham headquarters.

Stainless steel pumps

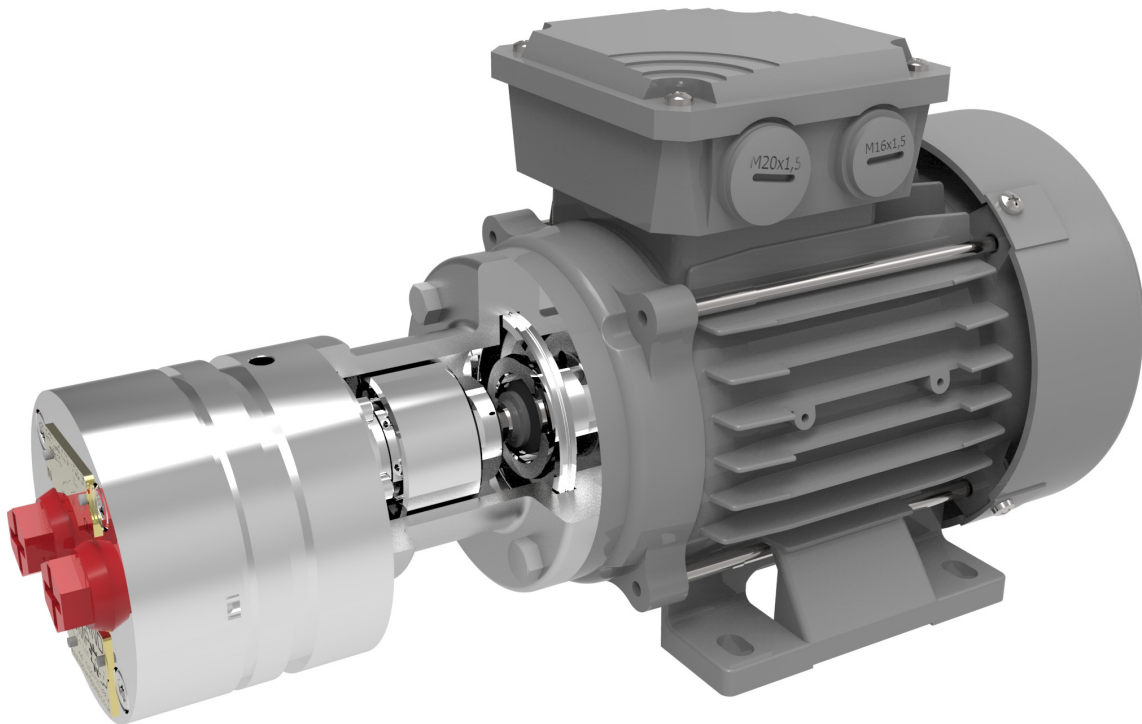
The first stage is based on the highly successful LFP range of pumps. Handling between 0.7 l/min – 5.0 l/min (4 pole speed), these units are well suited to dosing and metering as well as general pumping applications. Components are manufactured from high grade stainless steels, PEEK gears and carbon matrix bearings. Initially designed to handle corrosive formulations, they are also perfectly suited to foods, oils, perfumes and alcohols.



To complement this milestone achievement an encapsulated magnetic drive option is also offered, thus eliminating possible leakage and contamination ingress when handling aggressive, difficult or harmful materials.

Managing Director A.T. Parker BA, FCA Technical Advisor J. D. Waynham C. Eng. B Sc.

Registered in England No. 1103911



Growing the range

The second stage of developing the stainless steel range is well under way with the both Group 1 and Group 2 (7.0 l/min – 109.0 l/min at 4 pole speed) ranges being encompassed. A full range of magnetic drive options will also be available to suite and, as always, pumps can be tailored to meet your specific requirements.

In addition, the standard cast iron pump range (LFP, Group1, Group2) will also be benefitting from the addition of magnetic drive system in due course.

For further details about specifications, options, availability and suitability for your applications call Jon Cook on 0121 773 8862 or email sales@midlandpump.co.uk.

We look forward to your enquiry.

Midland Pump Manufacturing Company Ltd

Seeleys Road, Greet, Birmingham, B11 2LF

Tel: 0121 773 8862 3lines

Fax: 0121 771 4363