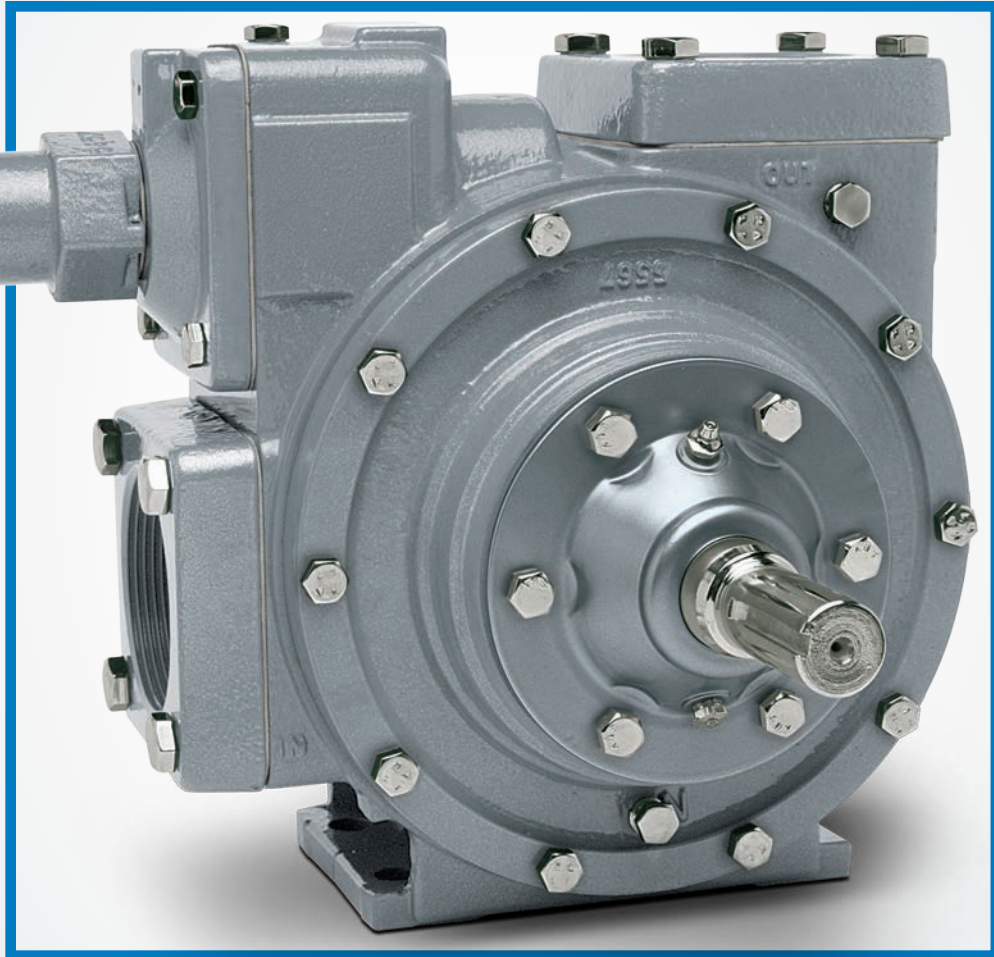


Petroleum Pumps

**PT-Series Pumps for Refined Petroleum Products
and Industrial Solvents**



LIQUID CONTROLS GROUP
IDEX

Your Single Source for Stationary & Transportation Solutions...

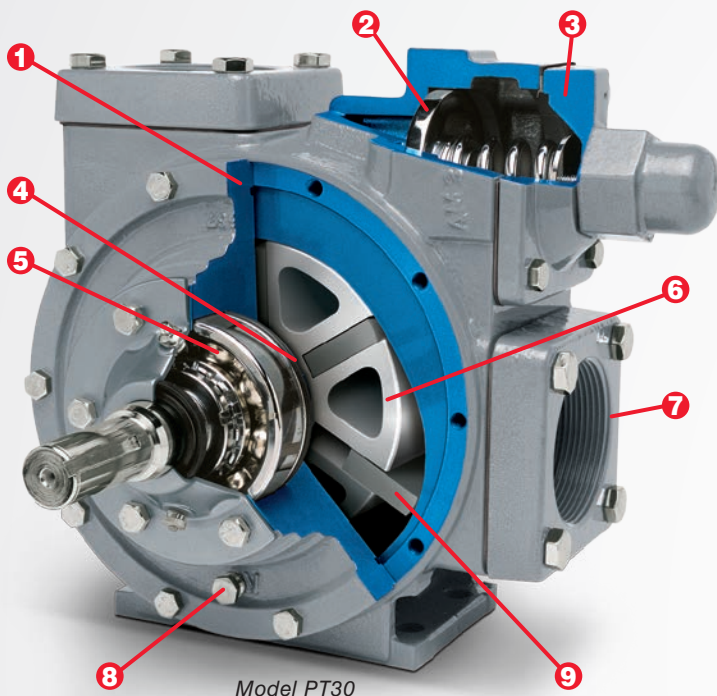
When it comes to ease of doing business, product functionality, and breadth of product offering, Liquid Controls Group is your single source solution for transporting, dispensing, and controlling high value fluids and gases. Common corporate ownership and shared distribution enables us to greatly simplify the procurement process. Rather than placing multiple orders, a customer can combine a pump, meter, and register into a single order. Other products offered by Liquid Controls Group include valves, electronics, in-cab management systems, and inventory control systems.

Another choice in petroleum pumps...

Our PT-Series petroleum pumps offer the industry another choice when building bulk plant and delivery vehicle systems. The pumps match industry-standard flange-to-flange and mounting foot print dimensions for easy incorporation into existing or new bulk plant and delivery vehicle systems. The features of the PT-Series will be appreciated by bulk plant designers, delivery truck fabricators, and end-user fuel marketers.

Three pump sizes available...

Available in 2, 2.5 and 3 inch flange sizes. Flow rates range from 31 to 271 gpm (117 to 1,026 L/min) and differential pressures up to 125 psi (8.6 bar).



Features of the PT-Series

- 1 O-ring design delivers maximum sealing capability and is available with optional seal materials.
 - 2 Corrosion resistant bypass valve made of nickel plated cast iron.
 - 3 Available with a standard bypass valve or an optional air operated valve (AOV) for high and low flow control. Additionally, the AOV relieves the pressure in the lines for easier handling of the hose nozzle.
 - 4 Reliable mechanical seal design with optional seal materials.
 - 5 Heavy duty ball bearings provide greater durability and strength.
 - 6 Hollow rotor helps reduce weight.
 - 7 Available with a T-style strainer that keeps your pumping system free from damage caused by welding slag and foreign materials left in the piping or tank.
 - 8 Conveniently located drain plug allows you to empty the pump quickly when necessary.
 - 9 Positive displacement sliding vane design delivers higher pumping efficiency and a lower noise level. The self adjusting vanes extend the life of the pump by compensating for wear.
- Installation is simple since the PT-Series pumps are dimensionally interchangeable with the competition.
 - Viton^{®1} elastomers ensure compatibility with a wider range of fluids such as biodiesel and ethanol blends.

¹Viton[®] is a registered trademark of the DuPont company.

Pump Accessories



Optional Air Operated Valve (AOV)



Optional T-style Strainer

For Refined Petroleum Products & Industrial Solvents

Applications Include

- Fuel oil deliveries
 - Fleet refueling
 - Lube oil deliveries
 - Aviation refuelers
 - Bulk transfer
 - Bulk loading & blending
- Transporting the following:
 - Petrochemicals
 - Gasoline
 - Biofuels
 - Ethanol
 - Solvents



Model PT20

The model PT20 is a 2 inch petroleum pump and is ideal for “lube oil” deliveries that require low flow rates. Applications include deliveries to service centers such as auto dealerships and quick lube companies.

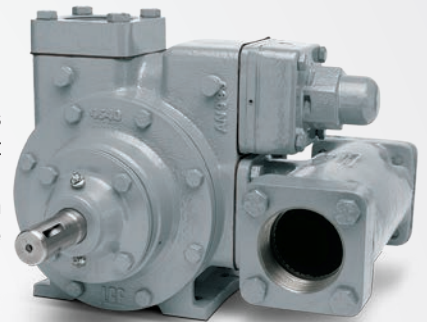


Model PT20



Model PT25

The model PT25 is a 2.5 inch petroleum pump and is suited for delivery trucks that transport gasoline, diesel, fuel oil, and other petroleum products. The flow rates are perfect for home, farm, and fleet fueling applications.



Model PT25



Model PT30

The model PT30 is a 3 inch petroleum pump and is ideal for bulk delivery applications such as large transport tanks. The PT30 is designed to quickly load and unload large volumes. Bulk deliveries include aviation fuels, gasoline, diesel, ethanol, biodiesel, and many more.



Model PT30

Maximum Specifications Chart

Model	Flow	Pump Speed	Viscosity	Differential Pressure	Working Pressure	Temperature
	GPM (L/min)	RPM	SSU (cP)	psi (bar)	psi (bar)	°F (°C)
PT20	88 (333)	780	20,000 (4,250)	125 (8.6)	200 (13.8)	300 (149)
PT25	159 (602)	780	20,000 (4,250)	125 (8.6)	200 (13.8)	300 (149)
PT30	271 (1,026)	640	20,000 (4,250)	125 (8.6)	200 (13.8)	300 (149)

Performance Data¹

Model	PT20		PT25		PT30	
RPM	520	640	520	640	520	640
GPM (L/min)	58 (220)	72 (273)	98 (371)	120 (454)	211 (799)	263 (995)
HP (kW)	2.5 (1.9)	3.0 (2.2)	3.8 (2.8)	5.0 (3.7)	7.8 (5.8)	9.5 (7.1)

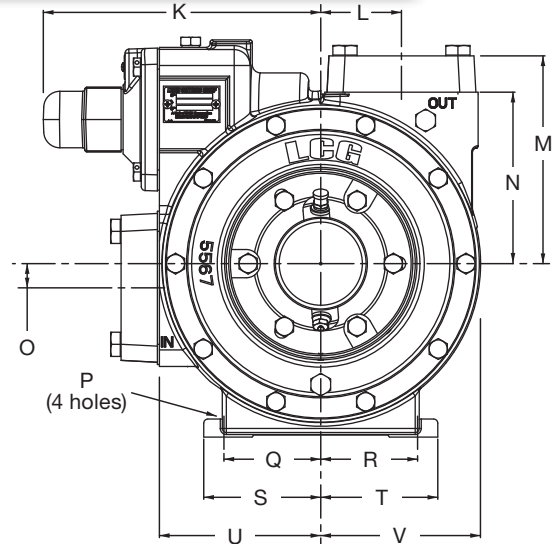
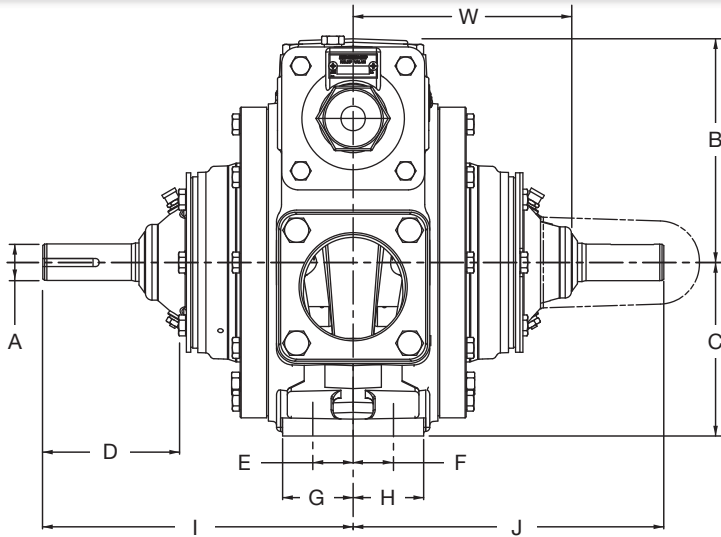
¹Capacities and horsepower are based on a 100 SSU (22 cP) fluid at 50 psi (3.4 bar) delivered pressure.

Refer to performance curves in the PT-Series sales catalog or the installation, operation and maintenance (IOM) manual for flow rates at other pressures.

Outline Dimensions (all dimensions in inches and centimeters)

Model	A	B	C	D	E	F	G	H	I	J	K	L
PT20	1.125 Dia. (2.86)	5.18 (13.16)	4.00 (10.16)	3.63 (9.22)	0.81 (2.06)	0.81 (2.06)	1.75 (4.45)	1.75 (4.45)	8.00 (20.32)	8.00 (20.32)	6.08 (15.44)	1.50 (3.81)
PT25	1.125 Dia. (2.86)	6.64 (16.87)	4.00 (10.15)	3.63 (9.22)	1.50 (3.81)	1.50 (3.81)	2.45 (6.21)	2.45 (6.21)	9.45 (23.99)	8.75 (22.23)	6.80 (17.27)	1.75 (4.45)
PT30	1.125 Dia. (2.86)	6.93 (17.60)	5.38 (13.70)	4.25 (10.80)	1.25 (3.20)	1.25 (3.20)	2.19 (5.60)	2.19 (5.60)	9.63 (24.40)	9.63 (24.40)	8.60 (21.80)	2.50 (6.40)

Model	M	N	O	P	Q	R	S	T	U	V	W
PT20	4.98 (12.66)	4.13 (10.48)	0.50 (1.27)	0.44 Dia. (1.12)	2.50 (6.35)	2.50 (6.35)	3.31 (8.40)	3.31 (8.40)	3.90 (9.92)	3.90 (9.92)	5.30 (13.46)
PT25	6.35 (16.12)	5.06 (12.86)	0.25 (0.64)	0.44 Dia. (1.12)	2.75 (6.99)	2.75 (6.99)	3.50 (8.89)	3.50 (8.89)	4.31 (10.95)	3.87 (9.87)	6.05 (15.36)
PT30	6.44 (16.40)	5.31 (13.50)	0.75 (1.90)	0.63 Dia. (1.58)	3.00 (7.60)	3.00 (7.60)	3.63 (9.20)	3.63 (9.20)	5.00 (12.70)	4.95 (12.60)	6.43 (16.33)



Corken
Faure Herman
Liquid Controls

Sponsor
SAMPI
Toptech Systems

CORKEN, INC.

3805 N.W. 36th St., Oklahoma City, OK 73112
(405) 946-5576 • FAX (405) 948-7343
<http://www.corken.com> • cocsalesdept@idexcorp.com

LIQUID CONTROLS

105 Albrecht Drive, Lake Bluff, IL 60044-2242
1-800-458-5262 • (847) 295-1050 • FAX (847) 295-1057
<http://lcmeter.com> • lc-info.lcmeter@idexcorp.com